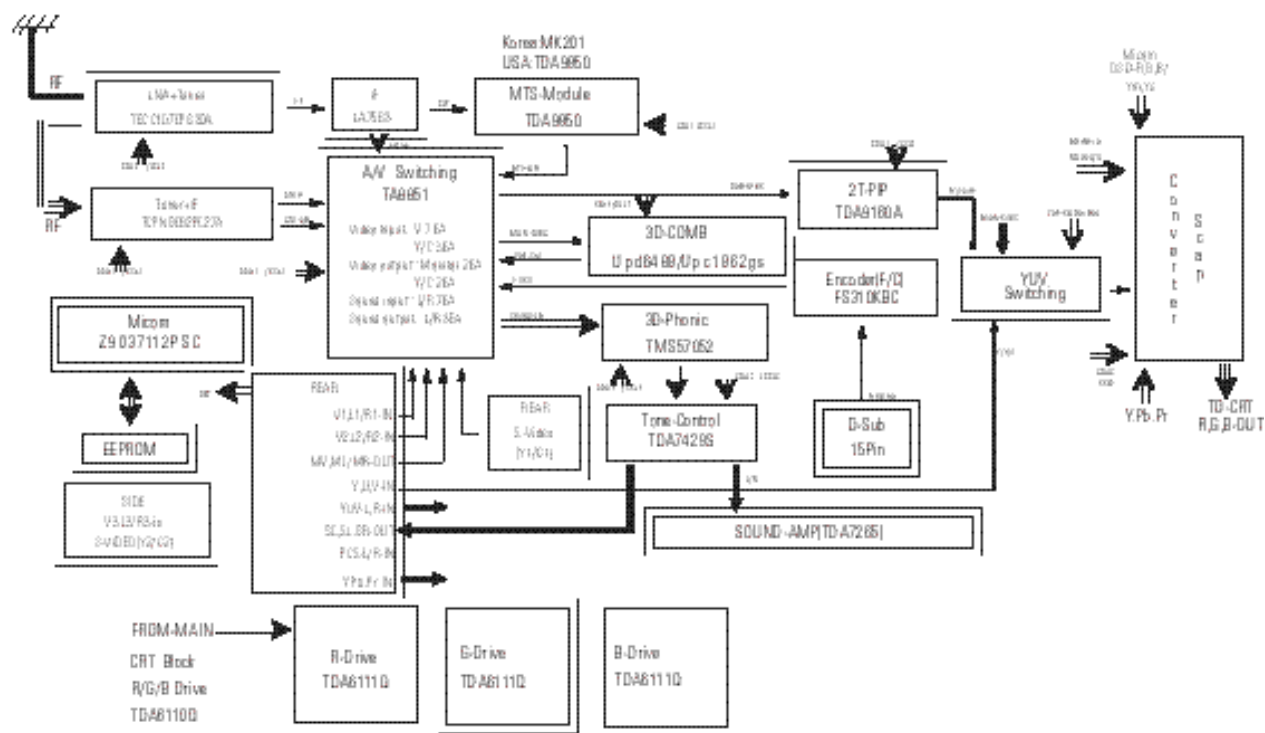
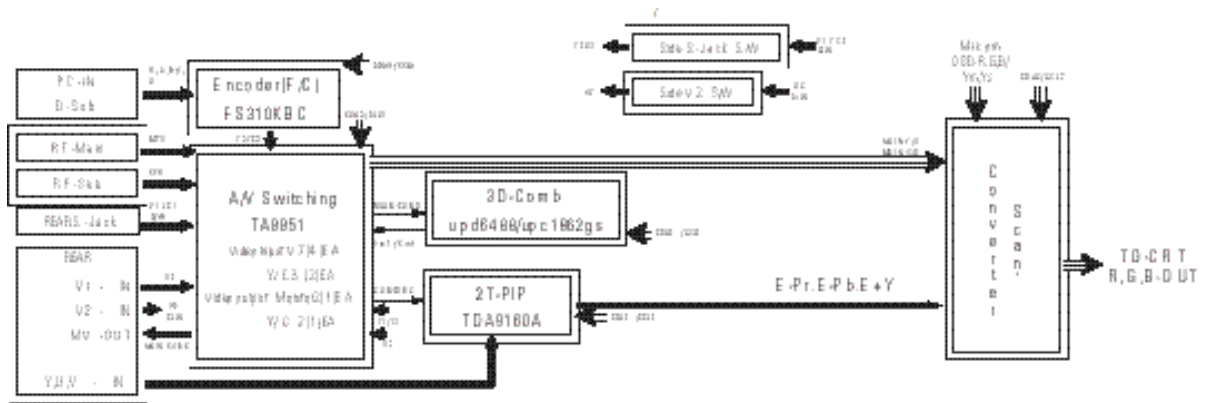


# 8. Block Diagrams

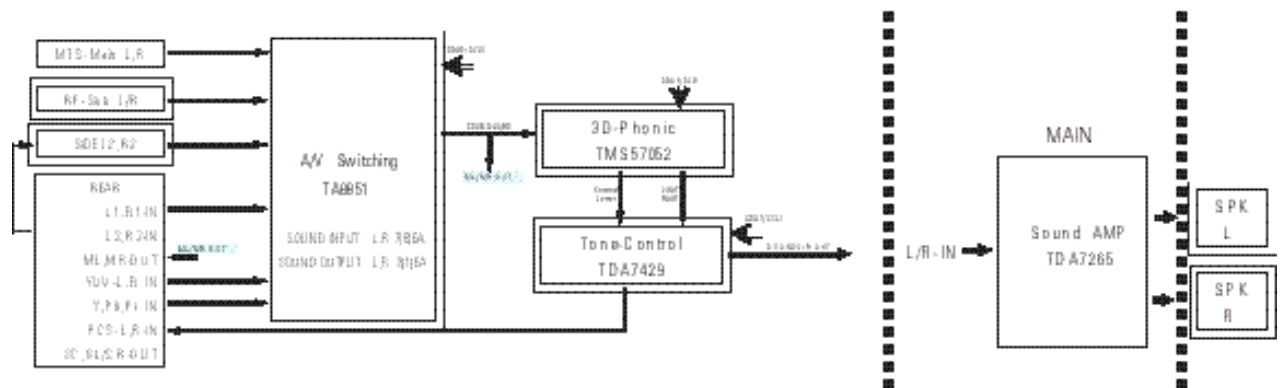
## 8-1 Main Signal



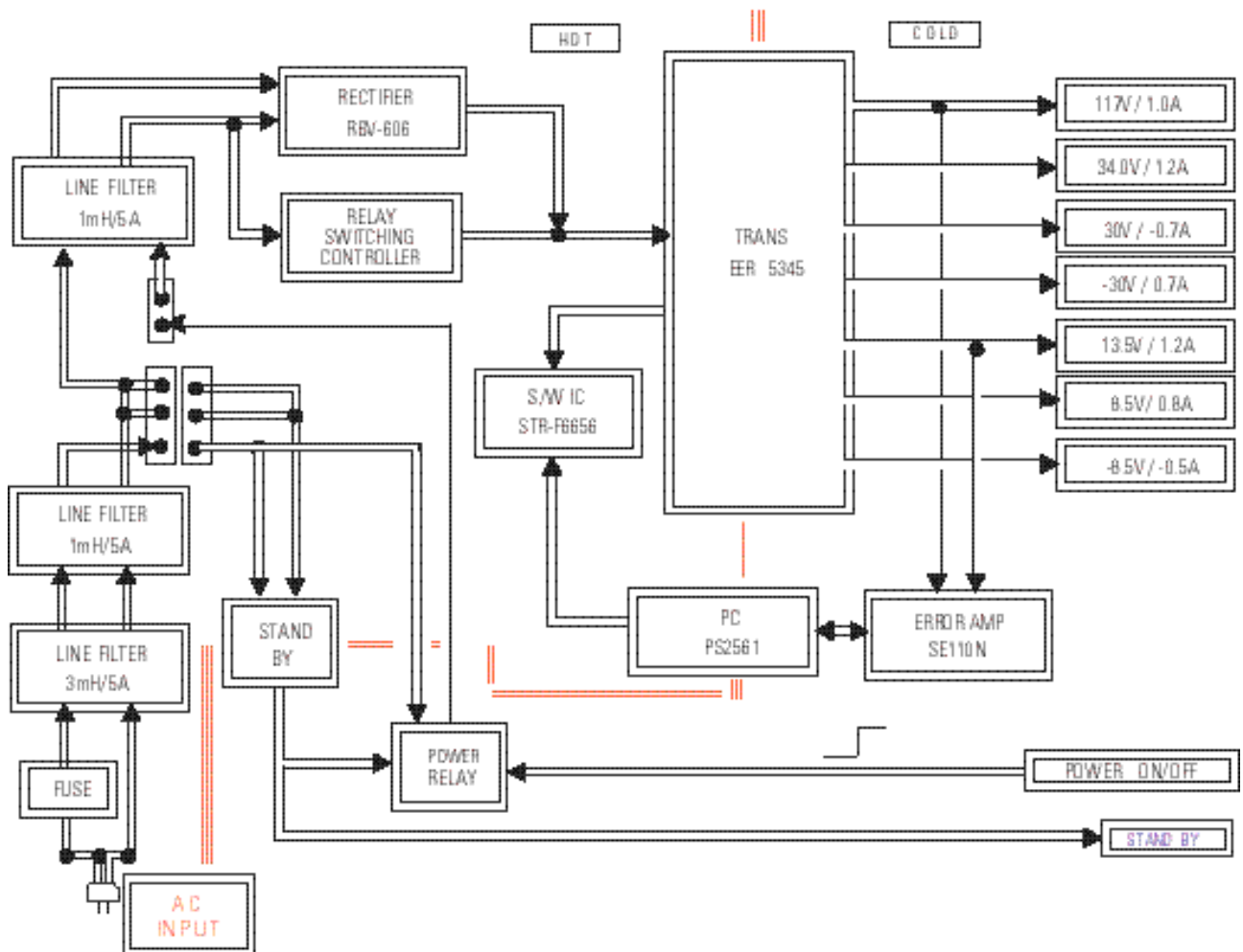
### 8-2 VIDEO SIGNAL



### 8-3 Sound SIGNAL



### 8-4 POWER SUPPLY



# MEMO